

APP CRS 323°	Rwy Idg TDZE Apt Elev	N/A N/A 5332
------------------------	-----------------------------	---

RNAV (GPS)-A

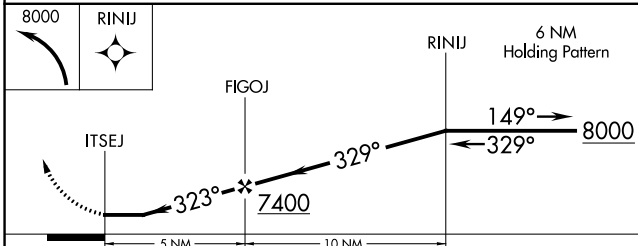
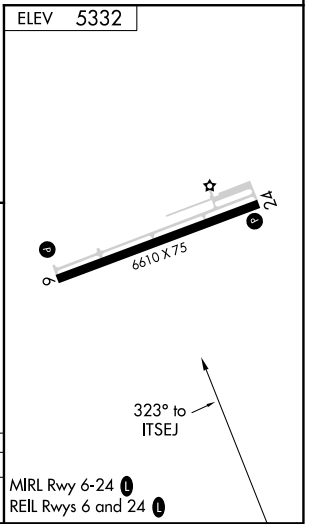
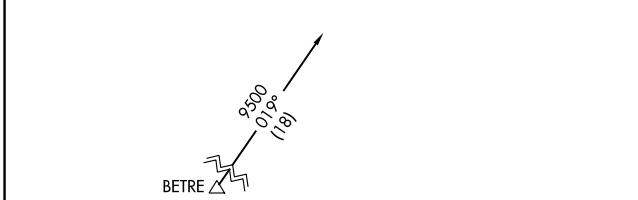
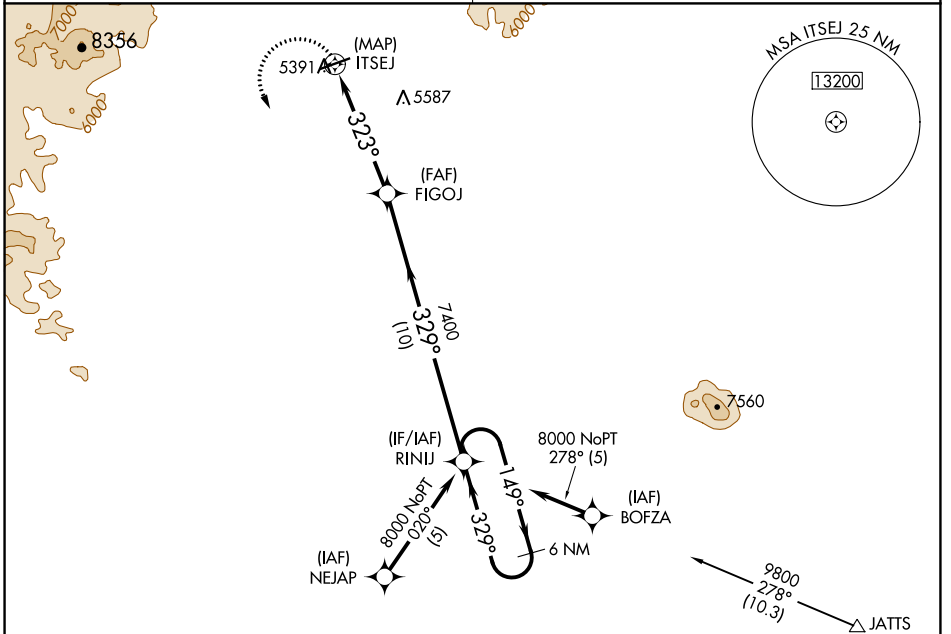
ARCO-BUTTE COUNTY (AOC)

GPS or RNP-0.3 required.
DME/DME RNP-0.3 NA.
 If local altimeter setting not received, use Pocatello Rgnl altimeter setting and increase all MDAs 600 feet.

MISSED APPROACH: Climbing left turn to 8000 direct RINIJ and hold.

SALT LAKE CENTER
128.35 239.25

UNICOM
122.8 (CTAF)



CATEGORY	A	B	C	D
CIRCLING	5920-1	588 (600-1)	5920-1½ 588 (600-1½)	5920-2 588 (600-2)

NW-1, 25 FEB 2021 to 25 MAR 2021

NW-1, 25 FEB 2021 to 25 MAR 2021