


APP CRS 082°	Rwy Idg TDZE Apt Elev	12000 5352 5434
------------------------	-----------------------------	--

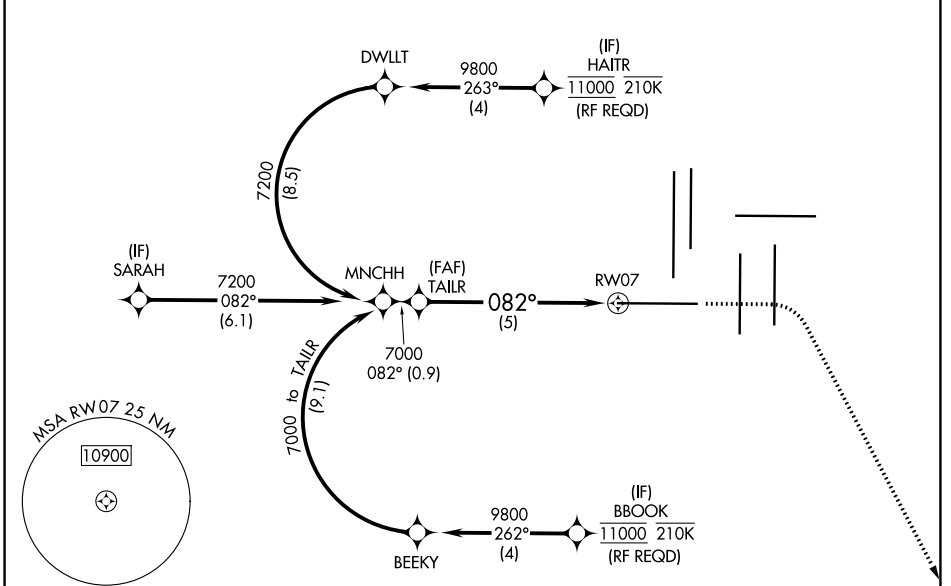
RNAV (RNP) Z RWY 7

DENVER INTL (DEN)

RNP AR APCH.
 ▼ Simultaneous approach authorized. For uncompensated Baro-VNAV systems, procedure NA below -23°C or above 54°C. For inop ALS, increase RNP 0.15 all Cats visibility to RVR 4000, and increase RNP 0.30 all Cats visibility to RVR 6000.

MALSR

MISSED APPROACH: Climb to 5900 then climbing right turn to 10000 direct CIDMU and track 081° to LIMEX and hold.

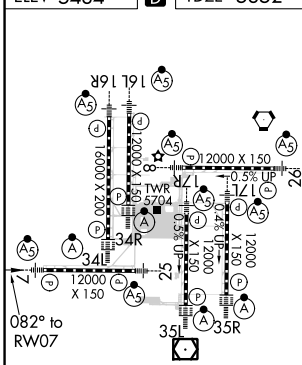
D-ATIS ARR 125.6 379.9 DEP 134.025	DENVER APP CON 119.3 307.3 (NORTH) 120.35 379.3 (SOUTH)	DENVER TOWER 128.75 273.55	GND CON 127.5 379.175	CLNC DEL 118.75	CPDLC
--	---	--------------------------------------	---------------------------------	---------------------------	-------



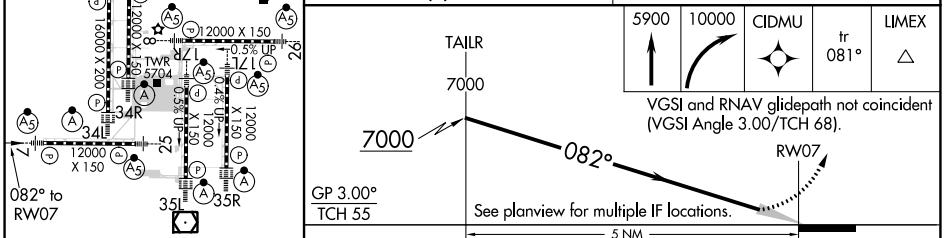
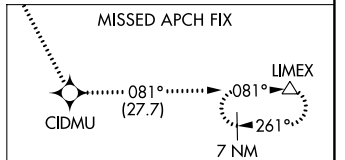
SW-1, 25 FEB 2021 to 25 MAR 2021

SW-1, 25 FEB 2021 to 25 MAR 2021

ELEV 5434	D	TDZE 5352
-----------	----------	-----------



HIRL all Rwys
 TDZ/CL Rwys 7, 16L, 16R, 17R,
 26, 34L, 34R, 35L, 35R



CATEGORY	A	B	C	D
RNP 0.15 DA		5602/24	250 (200-½)	
RNP 0.30 DA		5753/40	401 (400-¾)	

AUTHORIZATION REQUIRED