

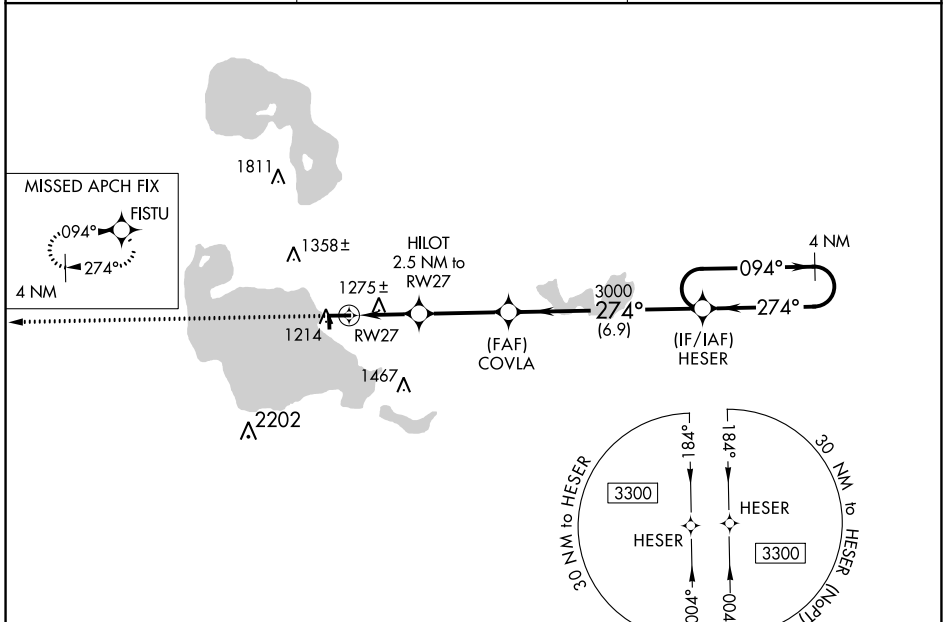
WAAS CH 70534 W27A	APP CRS 274°	Rwy Idg TDZE Apt Elev	4000 1146 1150
--	------------------------	-----------------------------	---

RNAV (GPS) RWY 27
ROSCOMMON COUNTY-BLODGETT MEMORIAL (HTL)

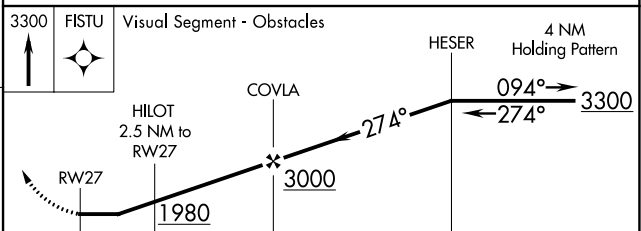
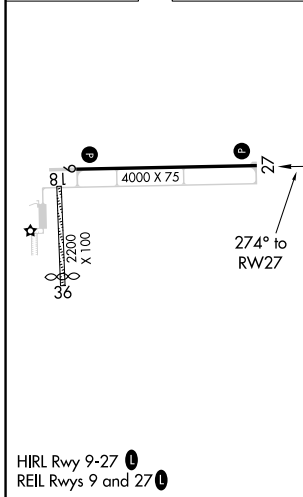
⚠ When local altimeter setting not received, use Gaylord altimeter setting and increase all MDA 120 feet, and increase LP and LNAV Cat C/D visibility 3/8 mile. DME/DME RNP-0.3 NA.
⚠ Procedure NA at night. Helicopter visibility reduction below 1 SM NA. Circling NA to Rwy's 18, 36.

MISSED APPROACH: Climb to 3300 direct FISTU and hold.

ASOS 118.05	MINNEAPOLIS CENTER 125.475 269.45	UNICOM 122.8 (CTAF) 0
-----------------------	---	---------------------------------



ELEV 1150	TDZE 1146
-----------	-----------



CATEGORY	A	B	C	D
LP MDA	1540-1	394 (400-1)	1540-1¼	394 (400-1¼)
LNAV MDA	1560-1	414 (500-1)	1560-1¼	414 (500-1¼)
CIRCLING	1600-1	450 (500-1)	1600-1½ 450 (500-1½)	1700-2 550 (600-2)

EC-1, 25 FEB 2021 to 25 MAR 2021

EC-1, 25 FEB 2021 to 25 MAR 2021