

WAAS CH <b>86229</b> W18A	APP CRS <b>179°</b>	Rwy Idg TDZE Apt Elev	<b>5849</b> <b>71</b> <b>75</b>
---------------------------------	------------------------	-----------------------------	---------------------------------------

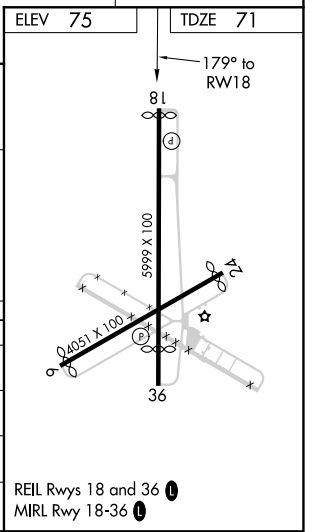
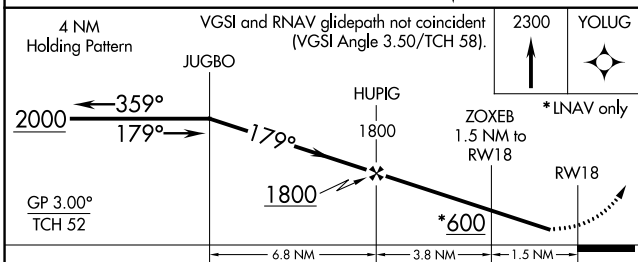
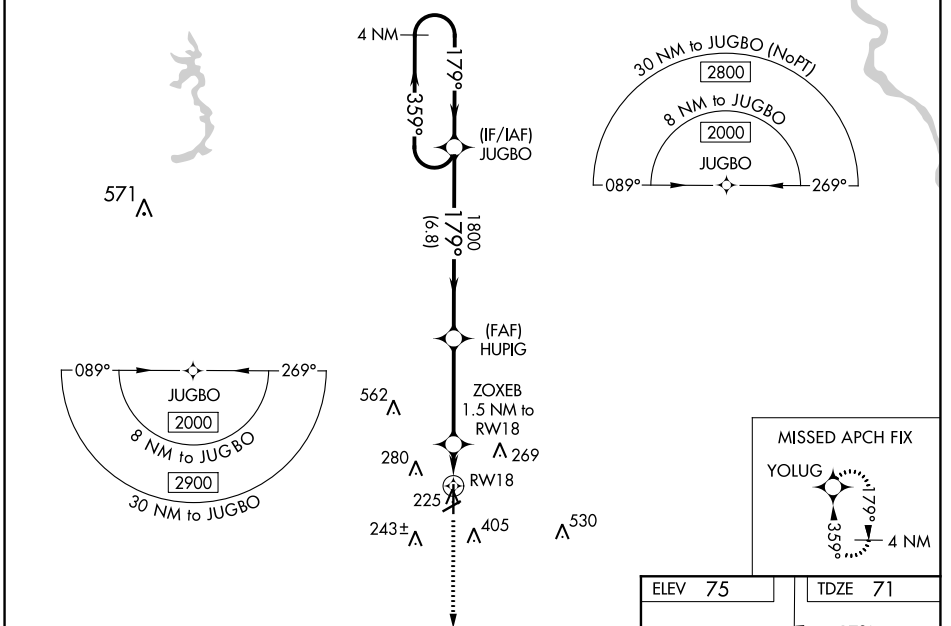
# RNAV (GPS) RWY 18

ST LANDRY PARISH-AHART FIELD (OPL)

**⚠** Baro-VNAV NA when using Lafayette altimeter setting. For uncompensated Baro-VNAV systems, LNAV/VNAV NA below -15°C (5°F) or above 43°C (109°F). When VGSI inop, Straight-in/Circling Rwy 18 procedure NA at night. DME/DME RNP-0.3 NA. Helicopter visibility reduction below 1 SM NA. Circling to Rwy 6/24 NA at night. When local altimeter setting not received, use Lafayette altimeter setting and increase all DA 56 feet and all MDA 60 feet, increase LNAV/VNAV all Cats visibility and LNAV and Circling Cat C and D visibility ¼ mile.

**MISSED APPROACH:** Climb to 2300 direct YOLUG and hold.

AWOS-3PT <b>118.775</b>	LAFAYETTE APP CON ★ <b>128.7 268.7</b>	UNICOM <b>123.0 (CTAF) 0</b>
----------------------------	---	---------------------------------



CATEGORY	A	B	C	D
LPV DA		321-1	250 (300-1)	
LNAV/VNAV DA		386-1	315 (400-1)	
LNAV MDA	480-1	409 (500-1)	480-1½	409 (500-1½)
CIRCLING	780-1	705 (800-1)	780-2	780-2¼
			705 (800-2)	705 (800-2¼)

REIL Rwy 18 and 36 0  
MIRL Rwy 18-36 0

SC-4, 25 FEB 2021 to 25 MAR 2021

SC-4, 25 FEB 2021 to 25 MAR 2021