

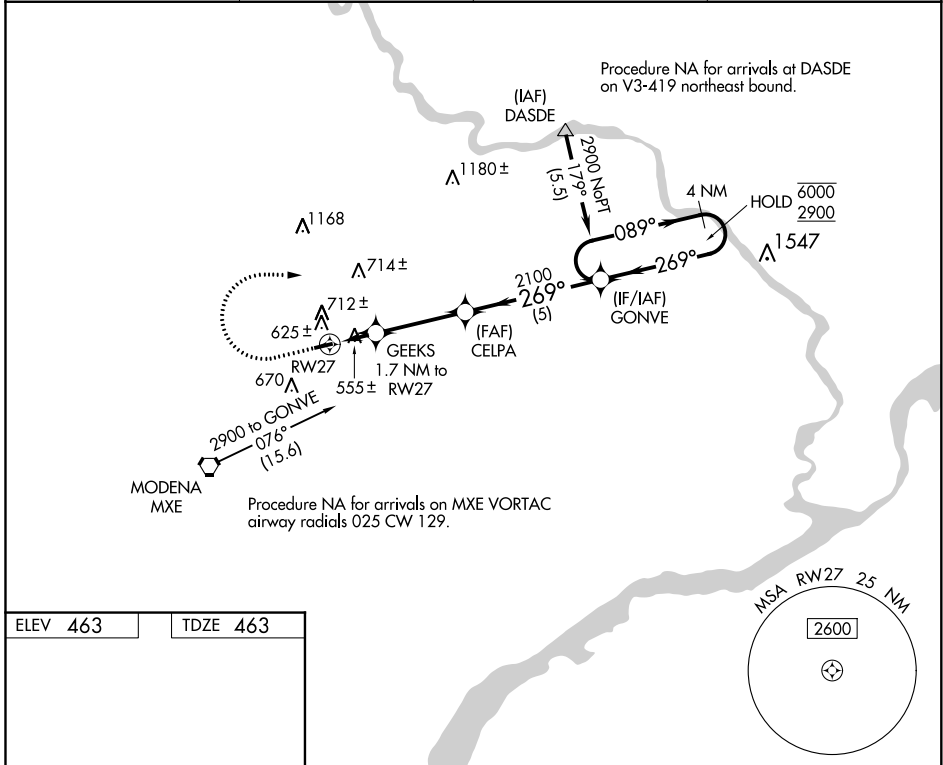
WAAS CH 86637 W27A	APP CRS 269°	Rwy Idg TDZE Apt Elev	3097 463 463
--	------------------------	-----------------------------	---

RNAV (GPS) RWY 27

BRANDYWINE RGNL (OQN)

RNP APCH.	<p>When local altimeter setting not received, use Coatesville altimeter setting and increase all MDA 60 feet. Rwy 27 helicopter visibility reduction below 1 SM NA. Procedure NA at night.</p>	MISSED APPROACH: Climb to 1500 then climbing right turn to 2900 direct GONVE and hold.
-----------	--	--

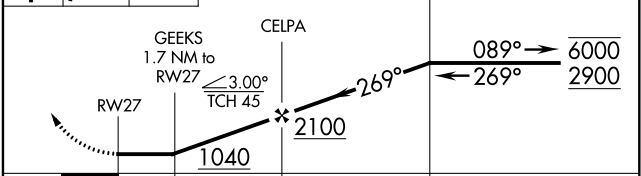
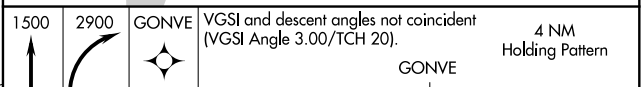
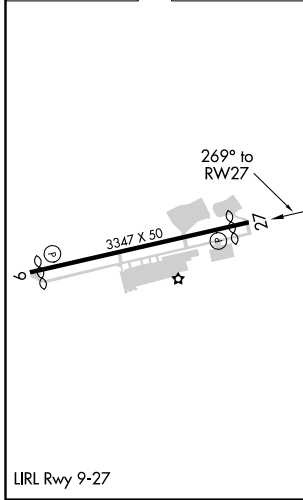
AWOS-3T 121.4	PHILADELPHIA APP CON 124.35 319.15	CLNC DEL 125.6	UNICOM 123.075 (CTAF)
-------------------------	--	--------------------------	---------------------------------



NE-4, 25 FEB 2021 to 25 MAR 2021

NE-4, 25 FEB 2021 to 25 MAR 2021

ELEV 463	TDZE 463
-----------------	-----------------



CATEGORY	A	B	C	D
LP MDA	820-1	357 (400-1)		NA
LNAV MDA	860-1	397 (400-1)		NA
<input checked="" type="checkbox"/> CIRCLING	1080-1	617 (700-1)		NA