

WAAS CH <b>97614</b> <b>W27A</b>	APP CRS <b>275°</b>	Rwy Idg TDZE Apt Elev	<b>4477</b> <b>763</b> <b>763</b>
--	------------------------	-----------------------------	---

# RNAV (GPS) RWY 27

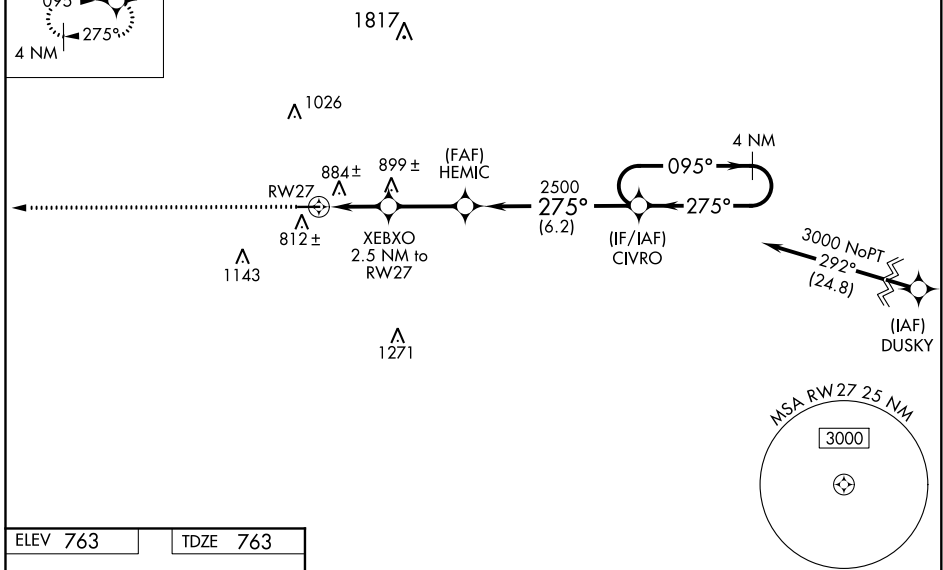
PUTNAM COUNTY (OWX)

RNP APCH.

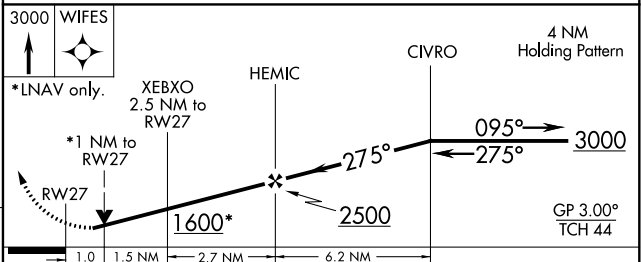
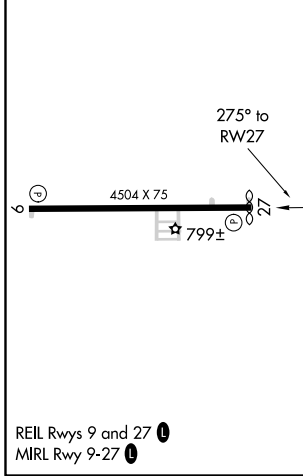
**▽** For uncompensated Baro-VNAV systems, LNAV/VNAV NA below -16°C or above 54°C .  
**△** NA Baro-VNAV and VDP NA when using Findlay altimeter setting. Rwy 27 helicopter visibility reduction below 3/4 SM NA. When local altimeter setting not received, use Findlay altimeter setting and increase all DAs/MDAs 40 feet.

**MISSED APPROACH:**  
 Climb to 3000 direct WIFES and hold.

AWOS-3 <b>120.525</b>	TOLEDO APP CON <b>120.8 317.55</b>	UNICOM <b>122.7 (CTAF) 0</b>
--------------------------	---------------------------------------	---------------------------------



ELEV 763	TDZE 763
----------	----------



CATEGORY	A	B	C	D
LPV DA	1048-1	285 (300-1)		NA
LNAV/VNAV DA	1185-1½	422 (500-1½)		NA
LNAV MDA	1140-1	377 (400-1)		NA
CIRCLING	1200-1 437 (500-1)	1220-1 457 (500-1)		NA

REIL Rwy 9 and 27 **0**  
 MIRL Rwy 9-27 **0**

OTTAWA, OHIO  
 Orig-A 24MAY18

41°02'N-83°59'W

# PUTNAM COUNTY (OWX) RNAV (GPS) RWY 27

EC-2, 25 FEB 2021 to 25 MAR 2021

EC-2, 25 FEB 2021 to 25 MAR 2021