

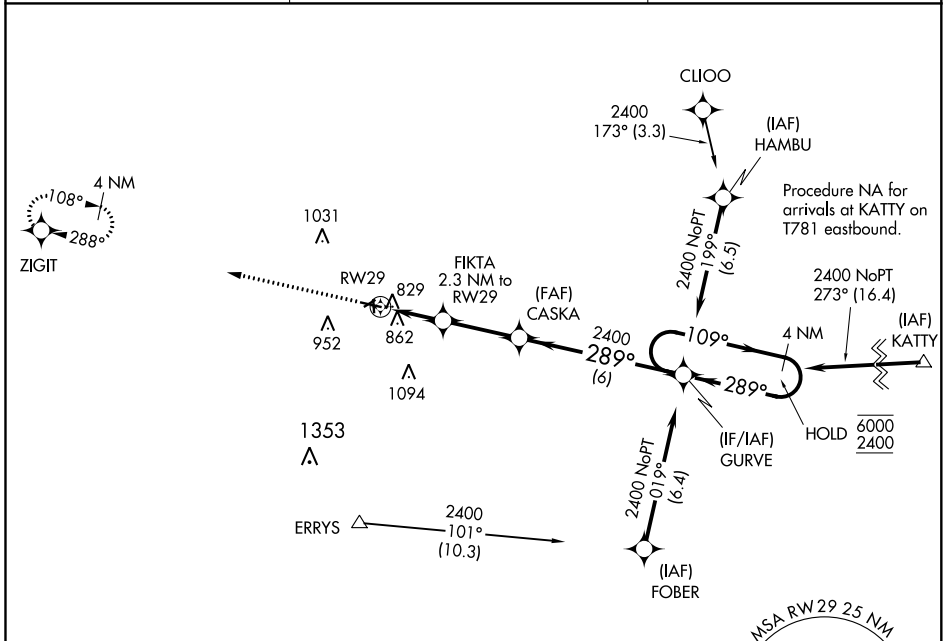
APP CRS	Rwy Idg	4300
289°	TDZE	737
	Apt Elev	737

RNAV (GPS) RWY 29

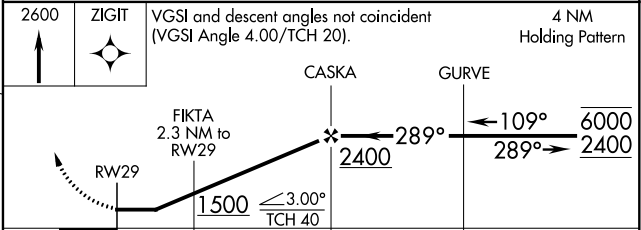
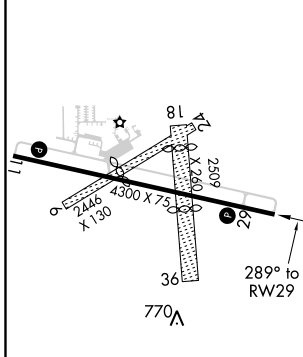
OWOSSO COMMUNITY (RNP)

RNP APCH:	<p>▼ Circling NA to Rwys 6, 18, 24 and 36. Procedure NA at night. Rwy 29 helicopter visibility reduction below 3/4 SM NA.</p> <p>▲ MISSED APPROACH: Climb to 2600 direct ZIGIT and hold.</p>
-----------	--

AWOS-3 118.025	GREAT LAKES APP CON * 128.55 257.9	UNICOM 123.0 (CTAF) 0
--------------------------	--	---------------------------------



ELEV 737	TDZE 737
----------	----------



CATEGORY	A	B	C	D
LNAV MDA	1120-1	383 (400-1)	1120-1 1/8 383 (400-1 1/8)	NA
C CIRCLING	1220-1 483 (500-1)	1260-1 523 (600-1)	1400-1 3/4 663 (700-1 3/4)	NA

REIL Rwy 11 and 29 **0**
MIRL Rwy 11-29 **0**

EC-1, 25 FEB 2021 to 25 MAR 2021

EC-1, 25 FEB 2021 to 25 MAR 2021