

VORTAC FNT <b>116.9</b> Chan <b>116</b>	APP CRS <b>281°</b>	Rwy ldg <b>4300</b> TDZE <b>736</b> Apt Elev <b>736</b>
---	------------------------	---

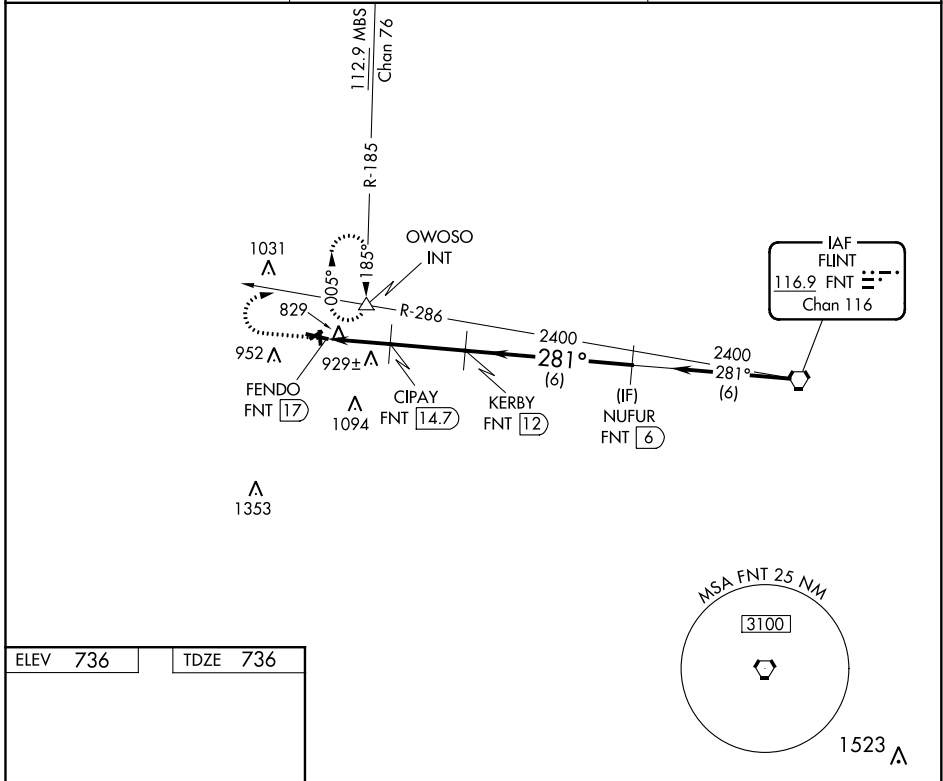
# VOR/DME RWY 29

OWOSSO COMMUNITY (RNP)

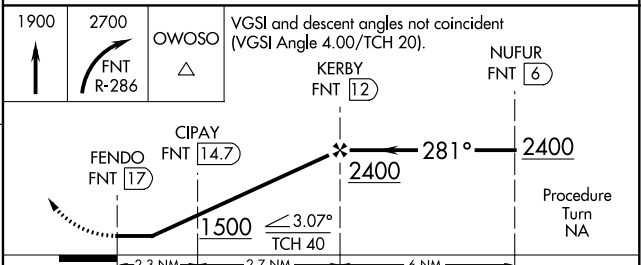
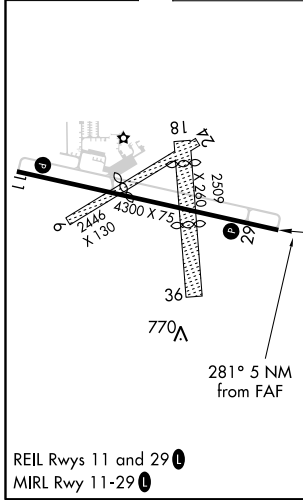
**▼** Circling NA to Rwy 6, 18, 24 and 36. Rwy 29 helicopter visibility reduction below  $\frac{3}{4}$  SM NA. When local altimeter setting not received, use Flint altimeter setting and increase all MDA 60 feet and S-29 Cat C visibility  $\frac{1}{4}$  mile.

**MISSED APPROACH:** Climb to 1900 then climbing right turn to 2700 via FNT VORTAC R-286 to OWOSSO INT and hold.

AWOS-3 <b>118.025</b>	GREAT LAKES APP CON * <b>128.55 257.9</b>	UNICOM <b>123.0</b> (CTAF) <b>0</b>
--------------------------	--	--



ELEV 736	TDZE 736
----------	----------



CATEGORY	A	B	C	D
S-29	1180-1	444 (500-1)	1180-1 $\frac{1}{4}$ 444 (500-1 $\frac{1}{4}$ )	NA
<b>C</b> CIRCLING	1220-1 483 (500-1)	1260-1 523 (600-1)	1400-1 $\frac{3}{4}$ 663 (700-1 $\frac{3}{4}$ )	NA

EC-1, 25 FEB 2021 to 25 MAR 2021

EC-1, 25 FEB 2021 to 25 MAR 2021