

LOC I-SPI <b>109.5</b>	APP CRS <b>043°</b>	Rwy Idg TDZE Apt Elev	<b>7927</b> <b>592</b> <b>598</b>
---------------------------	------------------------	-----------------------------	-----------------------------------------

# ILS or LOC RWY 4

ABRAHAM LINCOLN CAPITAL (SPI)

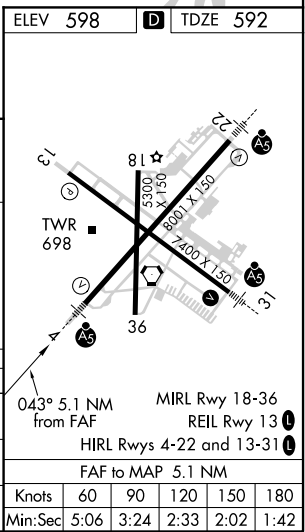
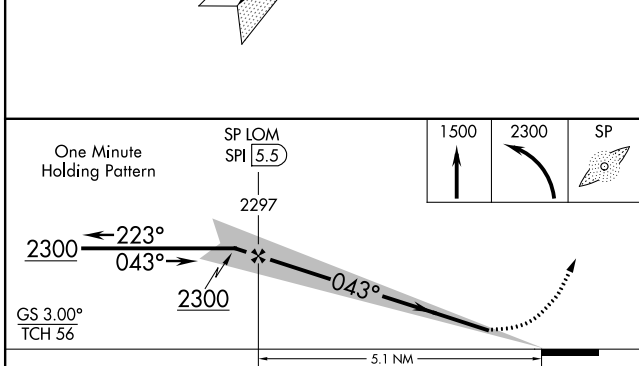
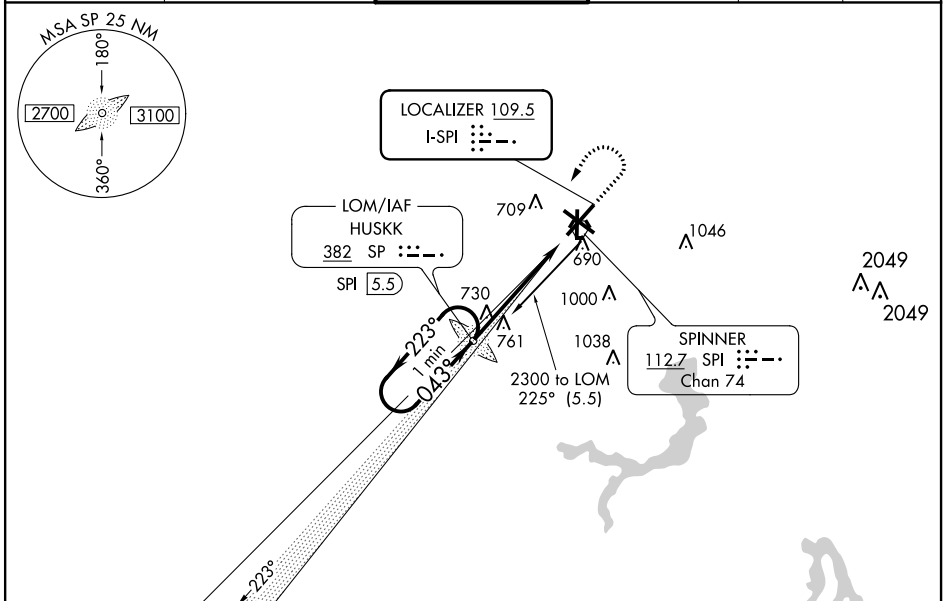
ADF Required.

When local altimeter setting not received, use Lincoln altimeter setting and increase all DA 57 feet, all MDA 60 feet, increase S-LOC and Circling Cat C/D visibility ¼ mile. For inop ALS when using Lincoln altimeter setting, increase S-LOC 4 Cats C and D visibility to 1¾ SM. \*RVR 1800 authorized with use of FD or AP or HUD to DA (NA when using Lincoln altimeter setting).

MALSRL

MISSED APPROACH: Climb to 1500 then climbing left turn to 2300 direct HUSKK LOM and hold.

ATIS <b>127.65 270.1</b>	SPRINGFIELD APP CON * <b>126.15 323.0</b>	SPRINGFIELD TOWER * <b>121.3 (CTAF) 257.8</b>	GND CON <b>121.9 348.6</b>	CLNC DEL <b>121.7</b>	UNICOM <b>122.95</b>
-----------------------------	----------------------------------------------	--------------------------------------------------	-------------------------------	--------------------------	-------------------------



CATEGORY	A	B	C	D
S-ILS 4	* 792/24 200 (200-½)			
S-LOC 4	1020/24	428 (500-½)	1020/40	428 (500-¾)
CIRCLING	1040-1 442 (500-1)	1100-1 502 (600-1)	1360-2¼ 762 (800-2¼)	1380-2½ 782 (800-2½)

EC-3, 25 FEB 2021 to 25 MAR 2021

EC-3, 25 FEB 2021 to 25 MAR 2021