

WAAS CH 49217 W01A	APP CRS 003°	Rwy Idg 5000 TDZE 372 Apt Elev 372
--	------------------------	---

RNAV (GPS) RWY 1

STURGIS MUNI (TWT)

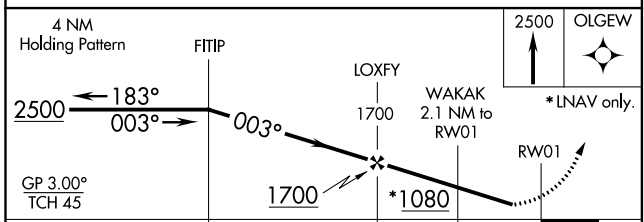
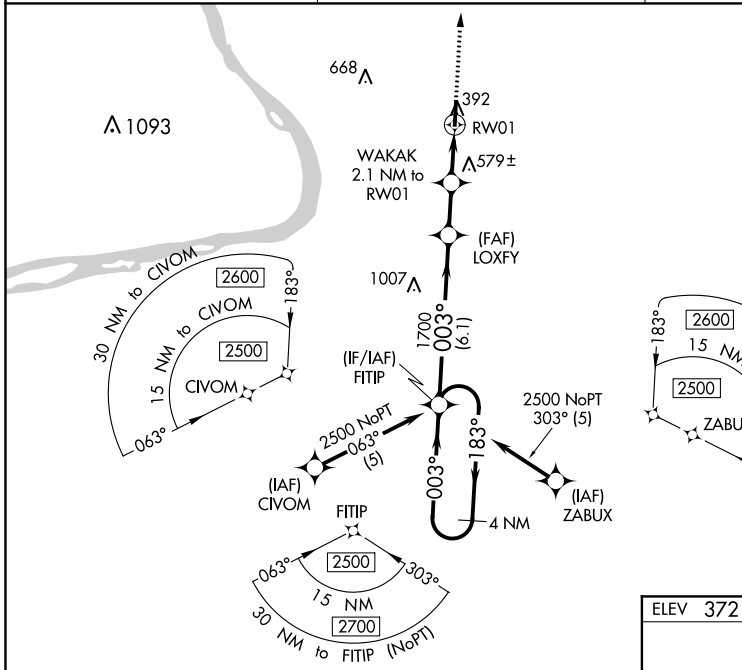
▼ Baro-VNAV NA when using Henderson altimeter setting. For uncompensated Baro-VNAV systems, LNAV/VNAV NA below -15°C (5°F) or above 54°C (130°F). DME/DME RNP-0.3 NA. When local altimeter setting not received use Henderson altimeter setting and increase LPV DA to 708 and visibility all Cats to 1 1/8 miles; increase LNAV/VNAV DA to 780 feet and visibility all Cats to 1 3/8 miles; increase all MDA 60 feet and Circling Cat C visibility 1/4 mile. Helicopter visibility reduction below 3/4 SM NA.

MISSED APPROACH:
Climb to 2500 direct
OLGEW and hold.

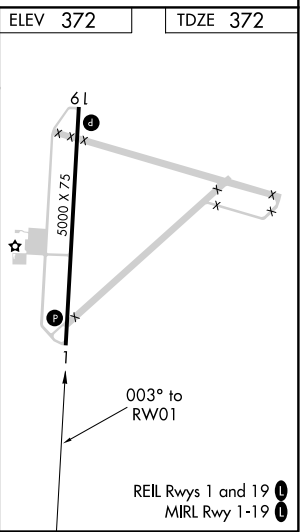
AWOS-3
118.775

EVANSVILLE APP CON *
124.025 290.9

UNICOM
122.8 (CTAF) 0



CATEGORY	A	B	C	D
LPV DA	658-7/8		286 (300-7/8)	
LNAV/VNAV DA	730-1 1/4		358 (400-1 1/4)	
LNAV MDA	820-1	448 (500-1)	820-1 3/8	448 (500-1 3/8)
CIRCLING	860-1	1000-1	1000-1 3/4	1120-2 1/2
	488 (500-1)	628 (700-1)	628 (700-1 3/4)	748 (800-2 1/2)



SE-1, 25 FEB 2021 to 25 MAR 2021

SE-1, 25 FEB 2021 to 25 MAR 2021