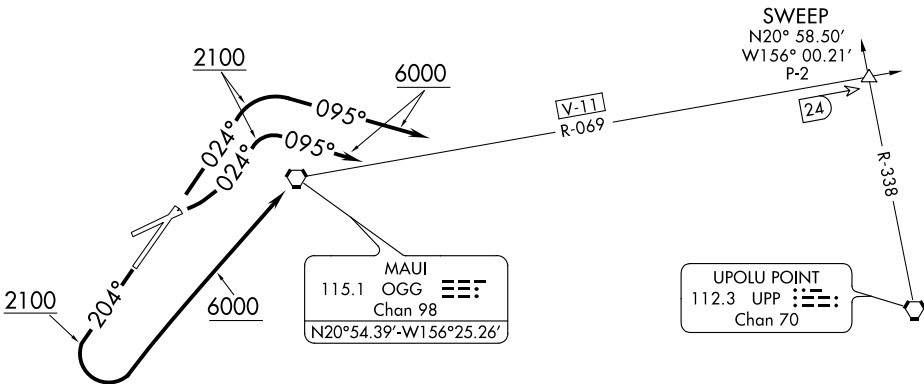


ATIS 128.6
CLNC DEL
120.6 290.5
GND CON
121.9 279.6
MAUI TOWER ★
118.7 (CTAF) 279.6
MAUI DEP CON
NORTH 120.2 322.4
SOUTH 119.5 225.4
HCF APPROACH
NORTH 120.2 322.4
SOUTH 119.5 225.4

**TOP ALTITUDE:
6000**



PAC, 25 FEB 2021 to 22 APR 2021

PAC, 25 FEB 2021 to 22 APR 2021

TAKEOFF MINIMUMS

Rwy 23: NA Obstacle and ATC.

Rwys 2, 5: Standard with ATC climb of 480' per NM to 2100.

Rwy 20: Standard with minimum climb of 480' per NM to 2100.

NOTE: Chart not to scale.



DEPARTURE ROUTE DESCRIPTION

TAKEOFF RUNWAY 2: Climb heading 024° to 2100 then climbing right turn to 6000 via heading 095° to intercept OGG VORTAC R-069 (V11) to SWEEP INT/OGG 24 DME.

TAKEOFF RUNWAY 5: Climbing left turn heading 024° to 2100 then right turn to 6000 via heading 095° to intercept OGG VORTAC R-069 (V11) to SWEEP INT/OGG 24 DME.

TAKEOFF RUNWAY 20: Climb heading 204° to 2100 then climbing left turn to 6000 direct OGG VORTAC then via OGG R-069 (V11) to SWEEP INT/OGG 24 DME.